

For reference only. See data sheet for the detailed specifications.

Technical Specification



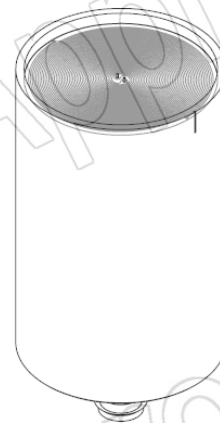
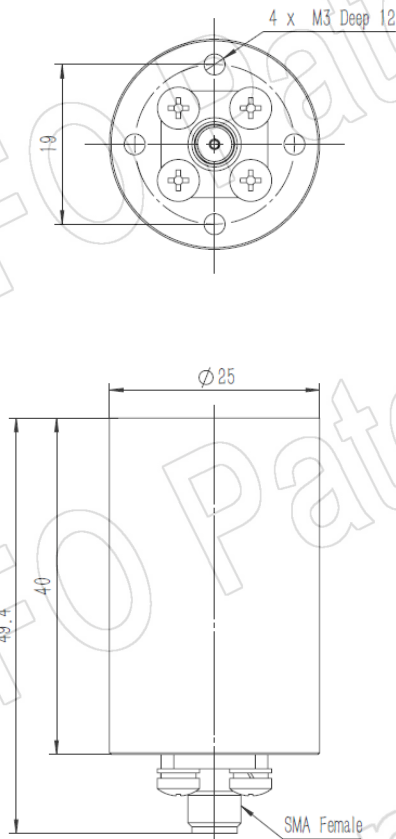
Frequency Range(GHz)	6.0 – 18.0
Gain(dBic)	1.0 – 7.0
	4.0 Typ.
Polarization	RHCP or LHCP
Axial Ratio(dB)	1.5 Typ.
	5.0 Max.
3dB Beamwidth(deg)	E Plane: 110 - 40
	H Plane: 95 - 50
VSWR	2.0:1 Typ.
	3.0:1 Max.
Connector	SMA-Female
Material	Al
Size(mm)	25 x 25 x 49.4
Net Weight(Kg)	0.03 Around

PATENT ID (China)

ZL201921373071.0

Outline Drawing (Size: mm)

SMA-Female Output (P/N: LX-60180_RHCP or LX-60180_LHCP)



AINFO Inc.

China(Beijing):
China(Chengdu):
USA :

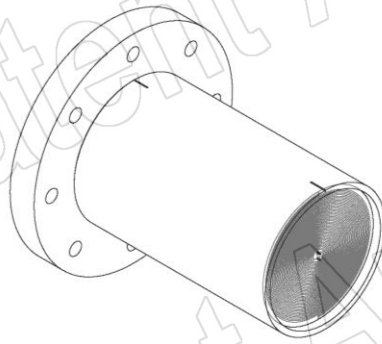
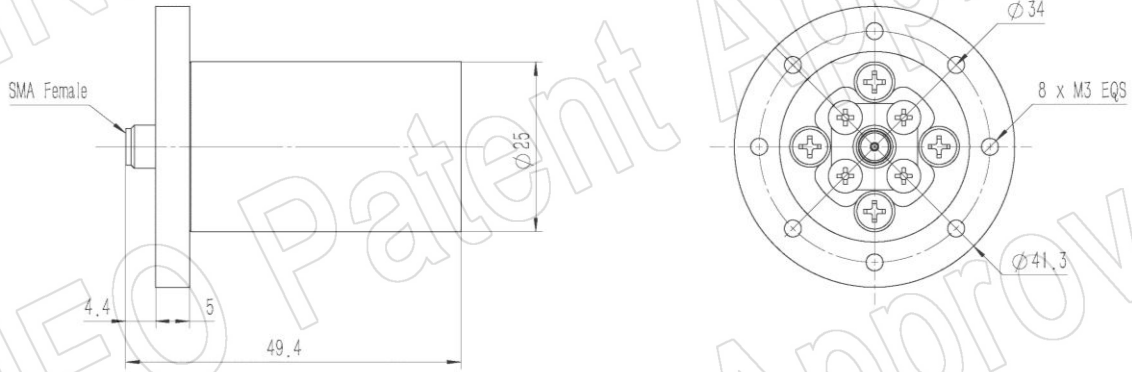
Tel: (+86) 10-6266-7326,
Tel: (+86) 28-8519-2786,
Tel: (+1) 949-639-9688,

(+86) 10-6266-7327
(+86) 28-8519-3044
(+1) 949-639-9608

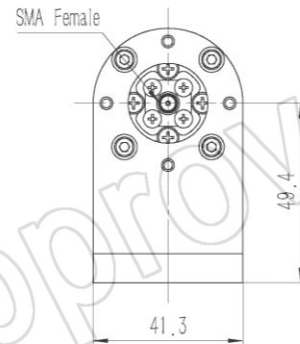
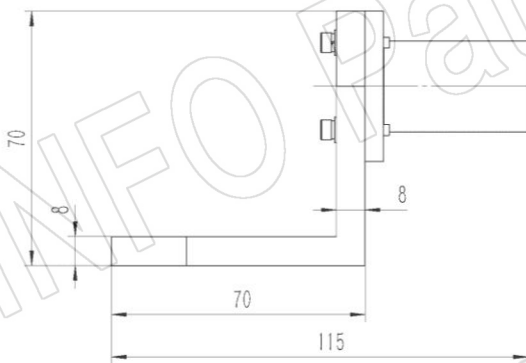
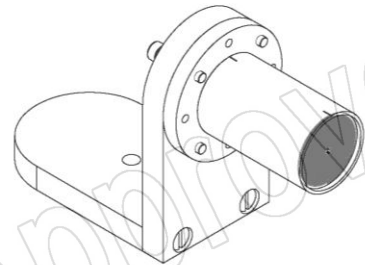
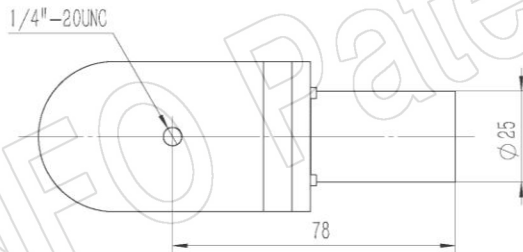
Fax: (+86) 10-6266-7379
Fax: (+86) 28-8519-3068
Fax: (+1) 949-639-9670

Website: www.ainfoinc.com
Email: sales@ainfoinc.com

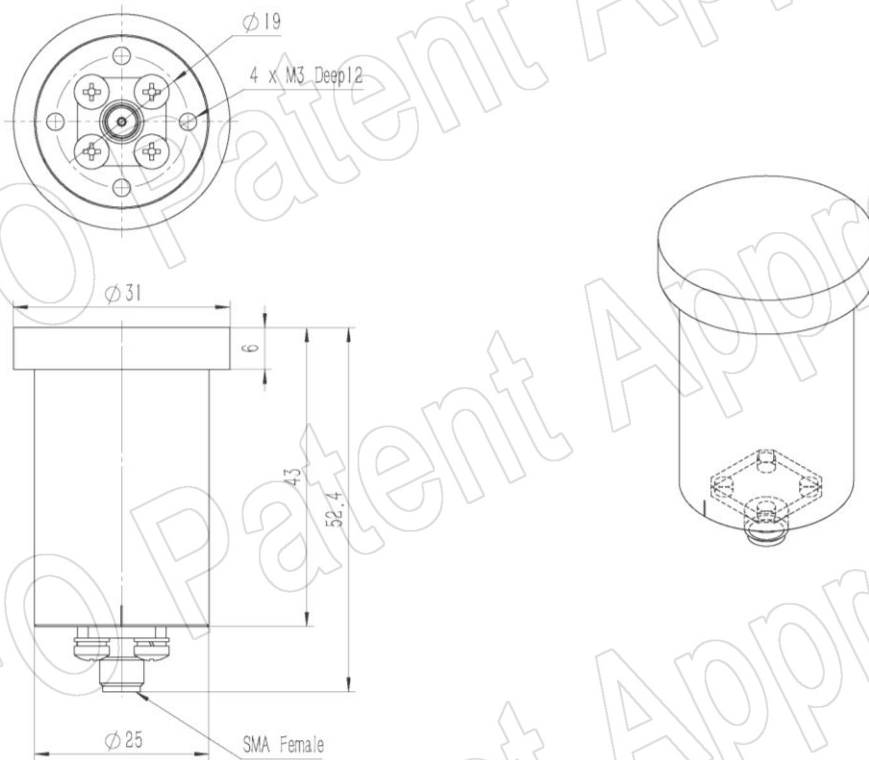
SMA-Female Output with Radome & Round Mounting Bracket (Option, P/N: LX-60180-MB)



SMA-Female Output with Radome & L Type Mounting Bracket (Option, P/N: LX-60180-MBL)



SMA-Female Output with Radome (Option, P/N: LX-60180_RHCPSPO or LX-60180_LHCPSPO, Outdoor Application)



AINFO Inc.

China(Beijing):
China(Chengdu):
USA :

Tel: (+86) 10-6266-7326,
Tel: (+86) 28-8519-2786,
Tel: (+1) 949-639-9688,

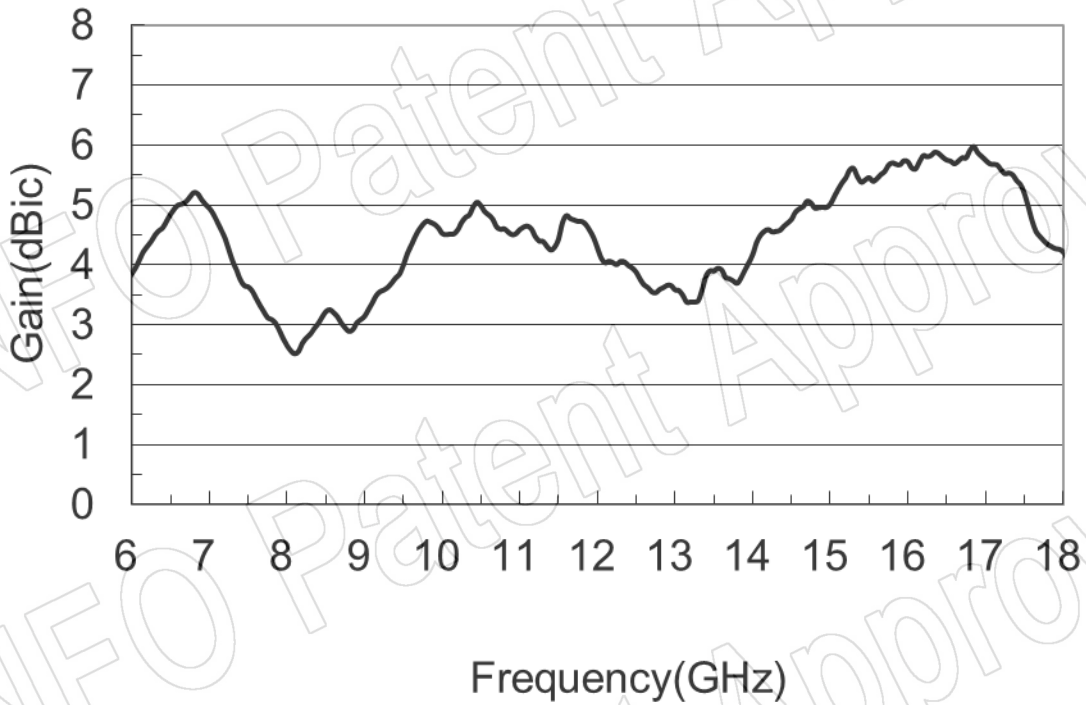
Page 3 of 9

(+86) 10-6266-7327 Fax: (+86) 10-6266-7379
(+86) 28-8519-3044 Fax: (+86) 28-8519-3068
(+1) 949-639-9608 Fax: (+1) 949-639-9670

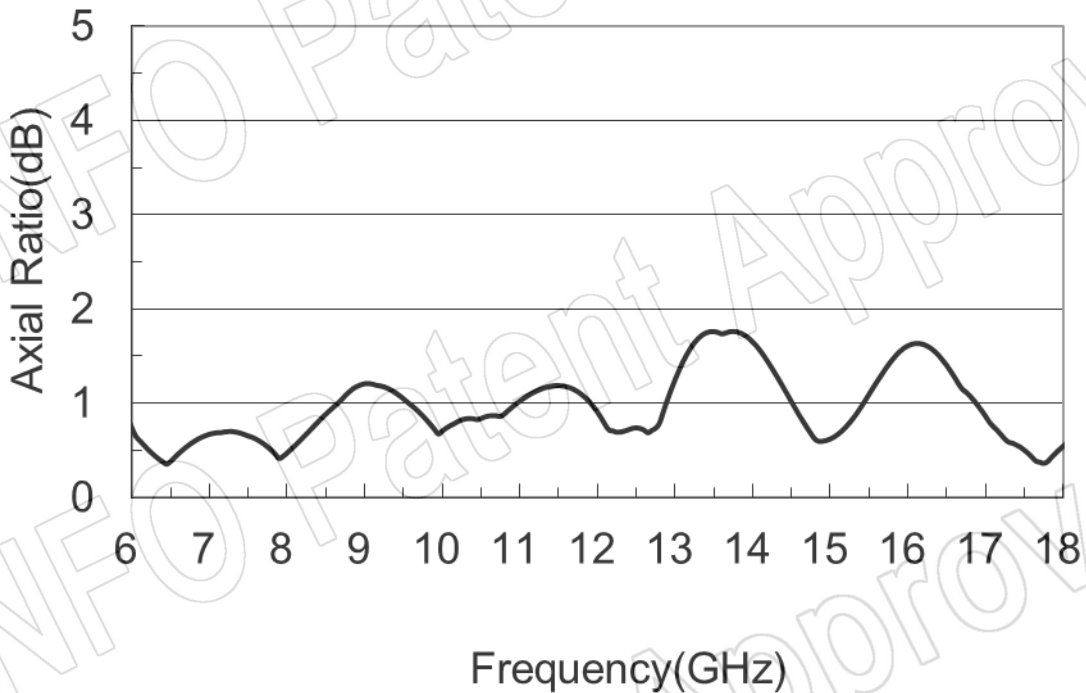
Website: www.ainfoinc.com
Email: sales@ainfoinc.com

Test Results

1. Gain



2. Axial Ratio



3. VSWR



4. Pattern

